

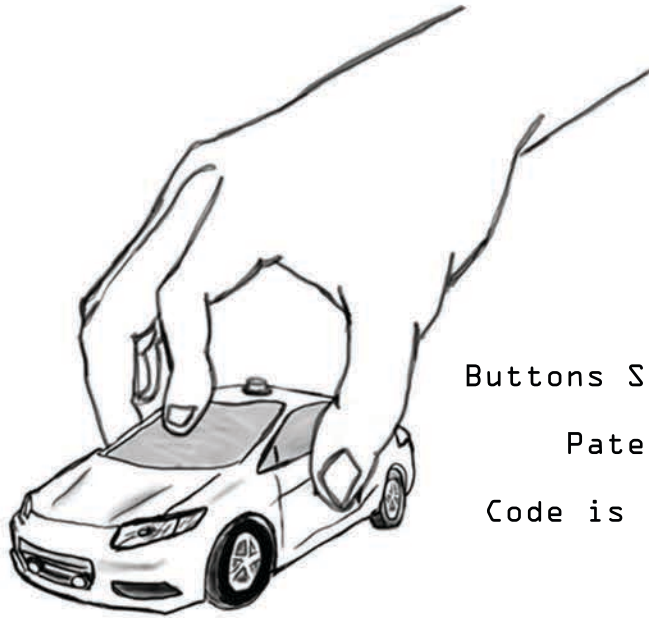
Installation Manual v1.2

Model: ONE64LEDv2

Realtime Play Action Car
PAT. PENDING

Add real functional lights
to your 1:64 or larger scaled model cars

Head lights | Tail Lights | Break Lights | Signal Lights
Parking Lights | Backup Lights | Interior Light
Fog Lights | Emergency | Strobes | Horn



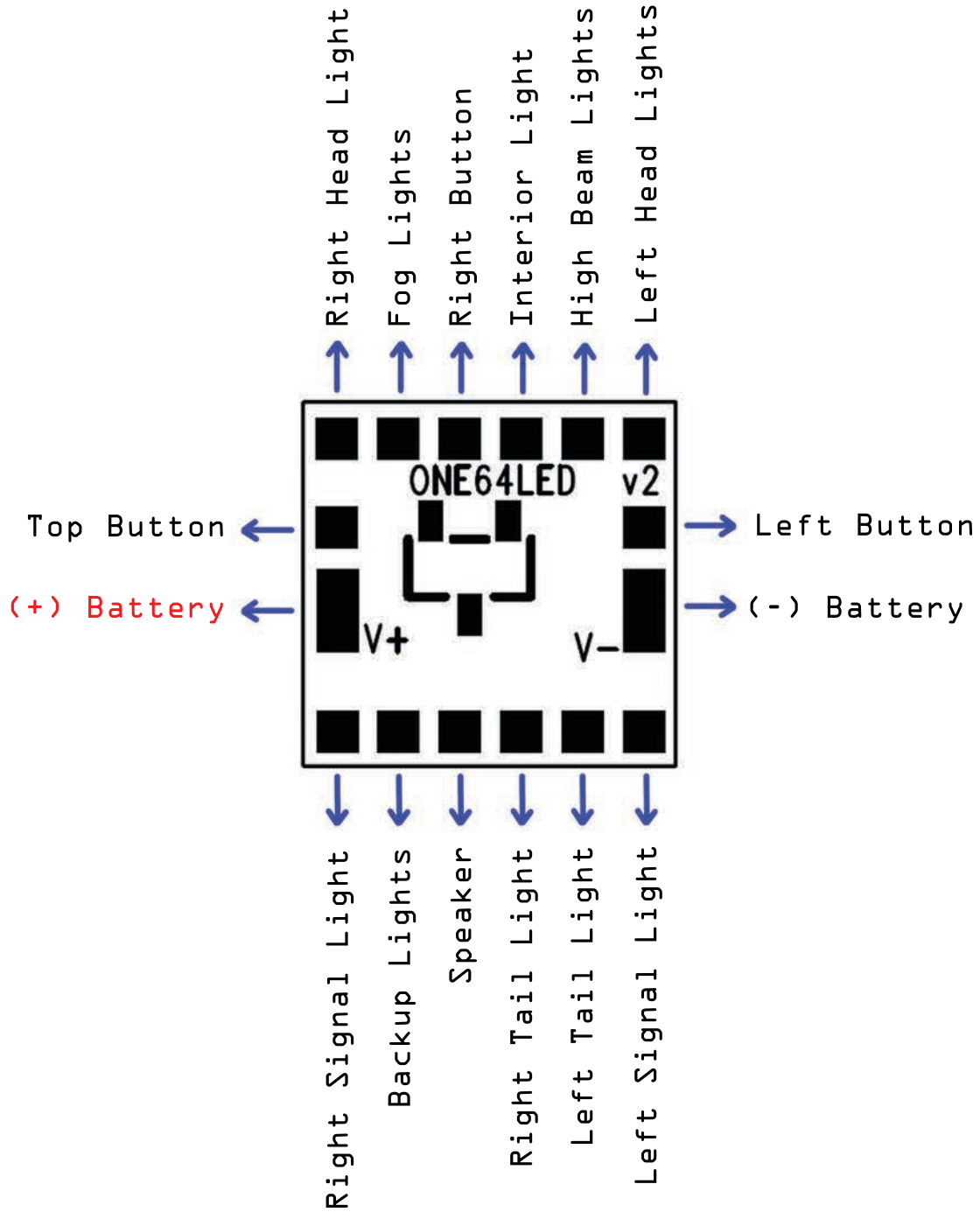
Buttons Setup & Features
are
Patent Pending

Code is copyright 2016[©]

Custom yours today...



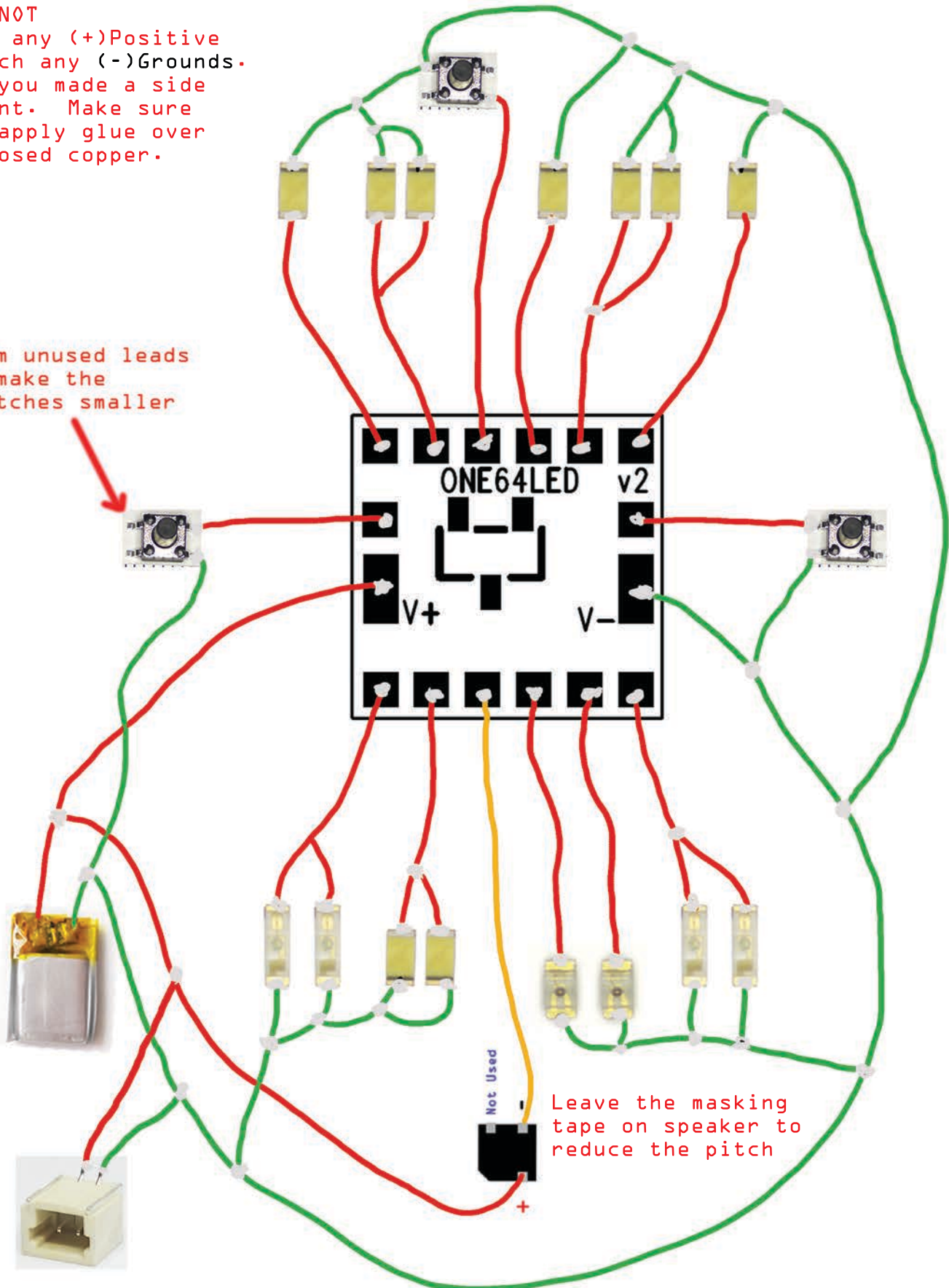
ONE64LEDv2 Pinouts



ONE64LEDv2 Wiring Guide

DO NOT
let any (+)Positive
touch any (-)Grounds.
If you made a side
joint. Make sure
to apply glue over
exposed copper.

Trim unused leads
to make the
switches smaller



Button Functions - Model: ONE64LEDv2

Turning ON the car: When the car is in the "OFF" state: Press the Top button and it will beep twice and blink the signal lights twice.

Different MODEs and Their Functions:

All MODEs will have the following functions, **except Emergency and Strobe MODEs**. Additional functions and notes are listed under their respective MODEs.

Functions:

Top button pressed less than 1 second: ==>	Goes to the next MODE
Top button held for more than 1 second: ==>	Goes back to the OFF Lights MODE (Reset)
Left button held down: ==>	Blinks left signal lights
Left button pressed twice and held down on the second press: ==>	Turns on the backup lights
Right button held down: ==>	Blinks right signal lights
Right button pressed twice and held down on the second press, then tap Top button: ==>	Turns on the interior lights
Right button pressed twice and held down on the second press, then press Left button: ==>	Sounds the Horn
Left + Right button held down together : ==>	Makes the tail lights brighter (Breaks)

MODEs: The MODEs will cycle in the following order and repeat:

- 1 OFF lights MODE: ==>** No lights will be ON

All the button functions listed above will work.
If there is no activity for 3 minutes in this mode, the horn will beep once and the signal lights will flash once.
*** Set it to this MODE when finished playing. This will turn off the car. ***
In this mode, once the interior lights is turned on, it'll stay on. This is so people can view the interior.
Hold the top button to turn off or press the top button change mode and the interior light will turn off.
- 2 Parking lights MODE: ==>** Signal lights will stay ON (Parking Lights)

All the button functions listed above will work.
- 3 Head lights MODE: ==>** Low beam, Tail and Parking lights will be ON

All the button functions listed above will work.
- 4 High beams MODE: ==>** Low beam, High beam, Tail and Parking lights will be ON

All the button functions listed above will work.
- 5 Head lights MODE with Fog lights: ==>** Low beam, Tail, Parking and Fog lights will be ON

All the button functions listed above will work.
The high beams will turn OFF.
- 6 Emergency MODE: ==>** Signal lights will blink continuously

Left and right buttons will not work in this MODE. Only the two following functions will work:

Top button pressed less than 1 second: ==>	Goes to the next MODE
Top button held for more than 1 second: ==>	Goes back to the OFF lights MODE (Reset)
- 7 Strobe MODE: ==>** Head lights and Tail lights will blink left/right alternately in an X pattern.

Left and right buttons will not work in this MODE. Only the two following functions will work:

Top button pressed less than 1 second: ==>	Goes to the next MODE
Top button held for more than 1 second: ==>	Goes back to the OFF lights MODE (Reset)